

# TB138 **FR**

## ZERO-SWING EXCAVATOR

● Machine Weight : 3860kg



**TAKEUCHI II**

# ADJUSTABLE ONE PIECE OFFSET BOOM SYSTEM



## Operator Comfort

**Spacious Compartment**  
decreases operator's fatigue during long days of productive operation.

**Wide Entrance**  
provides the comfort entry/exit.

**Two-Speed Travel Switch**  
is conveniently located on the right hand travel lever for ease of operation.



**Two-Speed Travel Shift-Down System**  
automatically shifts travel speed from high to low speed when ground conditions call for additional traction power.

## One Touch Engine Decelerator

Installed on the right hand joystick reduces fuel consumption when the excavator is temporary idled.



**Short Pitch Rubber Crawlers**  
provide vibration free travel even on the roughest ground conditions.



## Serviceability

**Tilt-Up Operator's Platform**  
provides excellent service access to the engine and other components.

**Multiple Ground Level Access Panels**  
allow quick and easy maintenance servicing.

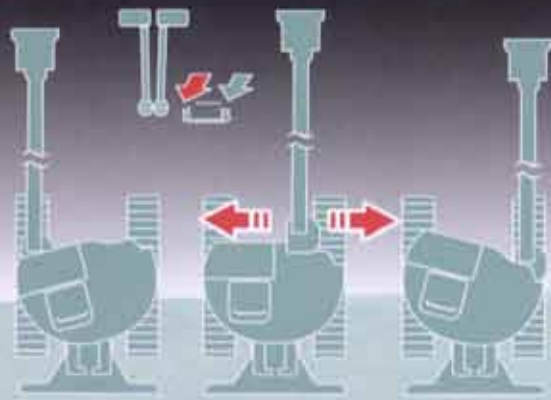
**Newly Designed Radiator & Exhaust System**  
for releasing heat quickly / easy maintenance.



# THE TEM



combined with zero-swing.  
A compact and innovative



## ZERO-SWING

enables the TB138FR to  
efficiently operate in  
confined areas.



### Safety

#### Well-Balanced Machine Weight

insures superior stability.

#### Emergency engine shut down / return to idle system

helps protect the engine from  
problems due to unobservant  
operators.

### Environmental Sensitivity

#### New Series Engine

is designed to meet the most strict  
worldwide exhaust emission standards  
and also provides significantly reduced  
noise levels for minimal disturbance in  
urban areas.

TB138FR Canopy



### Ease of Operations

#### Excellent Travel & Slew Speed

shorten operation cycle time.

#### Hydraulic Attachments

are operated by momentary push  
button or proportionally controlled by the  
slider switch on the joystick.

(SLIDER SWITCH-OPTIONAL)

### Options

#### Air Conditioner

provides a comfortable operating environment in even the warmest climate.

#### 2nd AUXILIARY HYDRAULIC SERVICE PORT

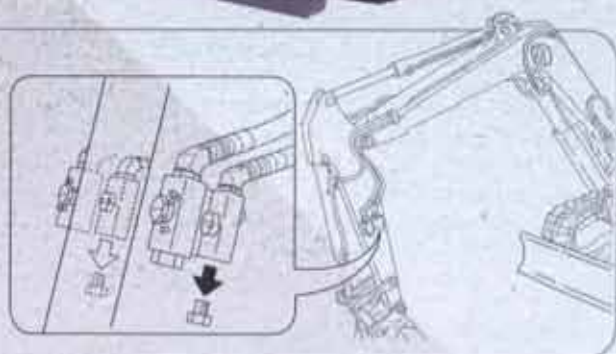
powers attachments that require multiple hydraulic actuation.

#### Optional Long Arm

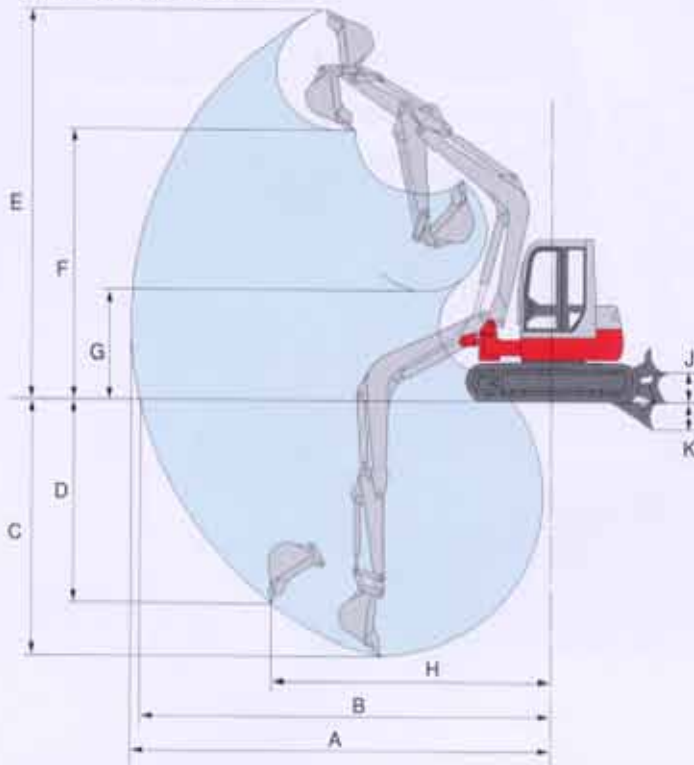
increases the excavators working range.

#### Proportional Auxiliary Hydraulic Switch

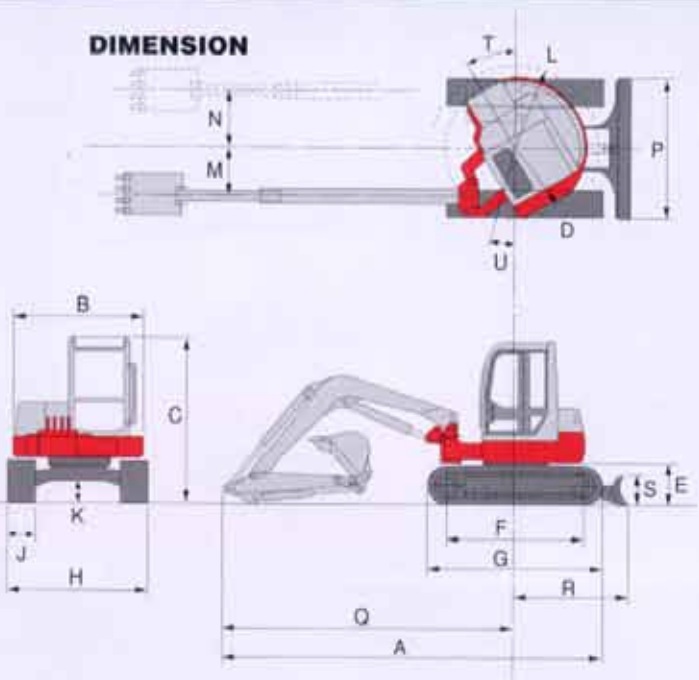
is controlled at your fingertips.



## OPERATING RANGE



## DIMENSION



Units:mm

Item	Rubber Crawlers	
	Standard Arm	Long Arm
A Max. digging radius	5260	5550
B Max. ground digging radius	5130	5425
C Max. digging depth	3110	3420
D Max. vertical digging depth	2365	2635
E Max. digging height	5020	5220
F Max. dumping height	3595	3795
G Min. dumping height	1420	1120
H Max. vertical digging radius	3605	3730
J Max. raising height	355	355
K Max. lowering depth	290	290

Units:mm | 1:Canopy

Item	Rubber Crawlers		Item	Rubber Crawlers	
	Standard Arm	Long Arm		Standard Arm	Long Arm
A	4715	4770	L	1155	1335
B	1640	--	M	700	--
C	2555 (2565)	--	N	730	--
D	955	--	P	1740	--
E	605	--	Q	3660	3715
F	1655	--	R	1415	--
G	2110	--	S	395	--
H	1740	--	T		30°
J	350	--	U		15°
K	295	--			

## SPECIFICATIONS TB138FR Cab, Rubber Tracked, Breaker Piping Standard (STEEL TRACKED)

<b>WEIGHT</b>		Rear Slew Radius	955	<b>OPERATING RANGE : mm</b>	
Machine Weight	kg   3860 (3960)	Min. Ground Clearance	295	Max. Digging Depth	3110
<b>BUCKET</b>		<b>PERFORMANCE</b>		Max. Vertical Digging Depth	2365
Bucket Capacity	m <sup>3</sup>   0.105	Traction Speed	km/h   2.5 / 4.7 (2.3 / 4.5)	Max. Dumping Height	3595
Bucket Width	mm   570	Upper Slew Speed	min <sup>-1</sup>   9.5	Max. Digging Height	5020
<b>DIESEL ENGINE (WATER-COOLED)</b>		Gradeability	deg%   30 / 58%	Max. Digging Radius	5260
Model	3TNV88	Max Dig Power Bucket	kN   26.5	Max. Ground Digging Radius	5130
Type	4CYCL.3CYCL.Direct Injection	Max Dig Power Arm	kN   18	Max. Bucket Offset RH/LH	730/700
Rated Output	kW   20.5	Ground Pressure	kPa   30.4 (32.1)	<b>HYDRAULIC SYSTEM</b>	
Max. Torque	N-m   99.9~108.7	<b>DOZER BLADE : mm</b>		Pump Type	2xVariablePiston Pump+2xGear Pump
Displacement	mL   1642	Width x Height	1740x395	Set Pressure	MPa   20.6x2+19.6+3.4
Cooling Water Capacity	L   5.4	Operating Range up/down	355/ 290	Discharge	L/min   37.2x2+21.8+10.3
Lubrication Oil Capacity	L   4.7	<b>OFF-SET DIG FUNCTION</b>		Breaker & Service Port	L/min   59
Fuel Tank Capacity	L   40	Type	Boom Offset	Slew Motor	Piston Motor
<b>OVERALL DIMENSION: mm</b>		Swing Angle RH/LH	15 / 30°	Tractor Motor	2-Speed Piston Motor
Length (in transport)	4715	<b>TRACTION SYSTEM ; mm</b>		Hydraulic Tank Capacity	L   41 (Level) / 68 (System)
Width	1740	Crawler (Track)	Rubber / Steel		
Height	2555	Track Width: RT (ST)	350 (350)		

WORLD CREATOR OF COMPACT EXCAVATOR  
**TAKEUCHI MFG.CO.,LTD.**

205, Uwadaira, Sakaki-machi, Hanisina-gun,  
Nagano 389-0605, Japan  
Phone (81)268-81-1112  
Telefax (81)268-81-1121  
URL <http://www.takeuchi-mfg.co.jp>  
E-mail: [marketing@takeuchi-mfg.co.jp](mailto:marketing@takeuchi-mfg.co.jp)

**Semco™**

Equipment Sales

**1800 685 525**

[www.semco-group.com.au](http://www.semco-group.com.au)